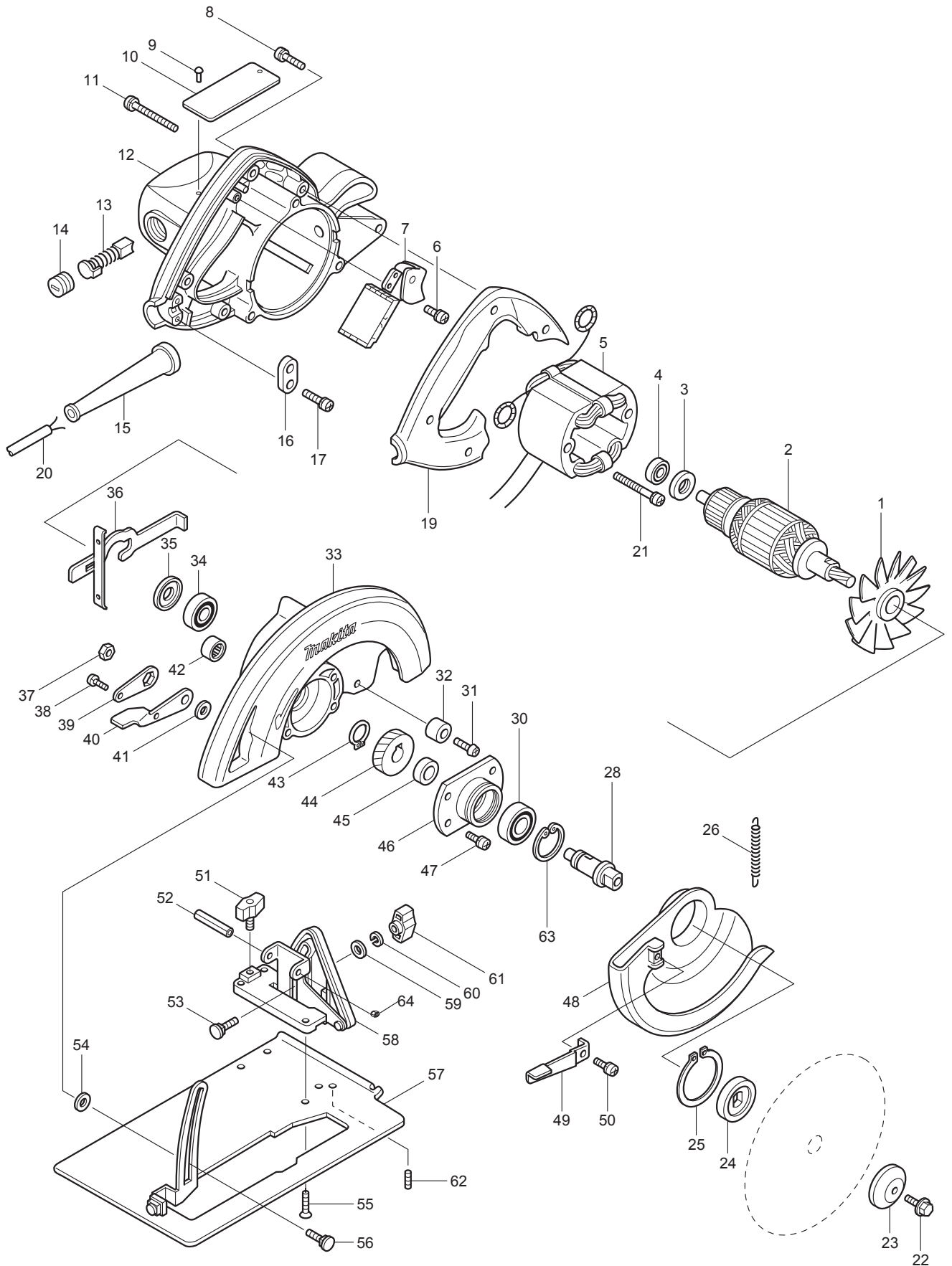




06 - 2011
5007NB (MKC)
(Made in China)
7-1/4" CIRCULAR SAW, AC/DC



Item No.	Type	Sub	Part No.	Description	Q'ty	Unit
1			241513-4	FAN 92	1	PC.
2			510057-8	ARMATURE ASS'Y 115V	1	PC.
3		INC.	681625-5	Item No. 1,3,4,34,35 INSULATION WASHER	1	PC.
4			210005-4	BALL BEARING 608DDW	1	PC.
5			596066-1	FIELD ASS'Y 115V	1	PC.
		INC.	654020-2	RING TERMINAL	2	PC.
		INC.	654553-7	CONNECTOR 34137	2	PC.
6			266020-6	TAPPING SCREW 4X12	1	PC.
7			651172-0	SWITCH TG933TN-1	1	PC.
8			265995-6	TAPPING SCREW 4X18	4	PC.
9			953106-2	RIVET 0-5	2	PC.
10			853470-0	NAME PLATE 5007NB	1	PC.
11			911273-9	PAN HEAD SCREW M5X50	3	PC.
12			141120-2	MOTOR HOUSING COMPLETE	1	PC.
		INC.	643653-8	BRUSH HOLDER 6.5-13.5	2	PC.
		INC.	817422-5	CAUTION LABEL ENG FR	1	PC.
13			194986-9	CARBON BRUSH CB-154 2PC/SET (W/ORIGIN)	1	SET
14			643650-4	BRUSH HOLDER CAP 6.5-13.5	2	PC.
15			682505-8	CORD GUARD 10-90	1	PC.
16			687052-4	STRAIN RELIEF	1	PC.
17			265995-6	TAPPING SCREW 4X18	2	PC.
19			416889-0	HANDLE COVER	1	PC.
20			664463-0	CORD WITH PLUG 2P-14-2.5M, SJ	1	PC.
21			266046-8	TAPPING SCREW 5X50	2	PC.
22			251644-1	HEX. FLANGE HEAD BOLT M8X20	1	PC.
23			224275-9	OUTER FLANGE 40	1	PC.
24			224151-7	INNER FLANGE 40	1	PC.
25			961201-4	RETAINING RING S-42	1	PC.
26			231828-7	TENSION SPRING 4	1	PC.
28			324256-4	SPINDLE	1	PC.
30			211206-7	BALL BEARING 6202LLB	1	PC.
31			251247-1	+ PAN HEAD SCREW M6X20	1	PC.
32			262502-6	RUBBER SLEEVE 6	1	PC.
33			153436-3	BLADE CASE COMPLETE	1	PC.
		INC.	213459-4	O RING 32	1	PC.
		INC.		Item No. 42		
34			211106-1	BALL BEARING 6201LLB	1	PC.
35			213102-5	DUST SEAL 12	1	PC.
36			163113-9	SPINDLE LOCK	1	PC.
37			931402-8	HEX. NUT M8	1	PC.
38			911106-8	PAN HEAD SCREW M4X8	1	PC.
39			341415-5	LOCK PLATE	1	PC.
40			341416-3	LEVER PLATE	1	PC.
41			941201-0	FLAT WASHER 8	1	PC.
42			212052-1	NEEDLE BEARING 1010	1	PC.
43			961055-9	RETAINING RING S-15	1	PC.
44			226532-1	HELICAL GEAR 39	1	PC.
45			257064-7	RING 15	1	PC.
46			316700-5	BEARING BOX	1	PC.
47			911126-2	PAN HEAD SCREW M4X16	4	PC.
48			317436-9	SAFETY COVER	1	PC.
49			341417-1	LEVER	1	PC.
50			266026-4	TAPPING SCREW BIND CT 4X12	1	PC.
51			251858-2	SCREW M6X15	1	PC.
52			265075-8	+ PAN HEAD SCREW M5	1	PC.
53			251920-3	CAP SQUARE NECK BOLT M6X30	1	PC.
54			267113-2	FLAT WASHER 12	1	PC.
55			912212-2	COUNTERSUNK HEAD SCREW M5X12	4	PC.
56			266249-4	CAP SQUARE NECK BOLT M8X24	1	PC.
57			163378-3	BASE	1	PC.
58			163248-6	ANGULAR PLATE	1	PC.

Item No.	Type	Sub	Part No.	Description	Q'ty	Unit
59			941151-9	FLAT WASHER 6	1	PC.
60			942151-2	SPRING WASHER 6	1	PC.
61			252624-0	WING NUT M6	1	PC.
62			266213-5	H.S.SET SCREW(FLAT POINT)M5X12	1	PC.
63			962153-2	RETAINING RING R-35	1	PC.
64			252103-8	HEX. LOCK NUT M5-8	1	PC.
70			418888-8	BUFFLE PLATE	1	PC.
71			810133-1	CAUTION LABEL	1	PC.
100			652008-6	PAN HEAD SCREW M3.5X7	4	PC.
101			654001-6	TERMINAL R1.25-3.5	2	PC.
102			654004-0	TERMINAL 2-S3	2	PC.
103			683006-9	VINYL TUBE 8-10-60	1	PC.
C01			872352-7	CARTON	1	PC.
<u>ACCESSORIES</u>			- See Catalogue or visit www.makita.ca for more accessories -			
A01			164095-8	GUIDE RULE	1	PC.
A02			782016-4	OFFSET WRENCH 13	1	PC.
A03			D-24826-10	7-1/4" C.T.SAW BLADE 24T, 10PC/PK	1	PC.
			D-35352-10	7-1/4" C.T. SAW BLADE 24T 10/PK	1	PC.
			A-94839-10	7-1/4" FRAMING BLADE 24T, 10PC/PK	1	PC.
A04			824473-1	PLASTIC CARRYING CASE (BLOW)	1	PC.